

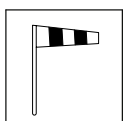


STORM

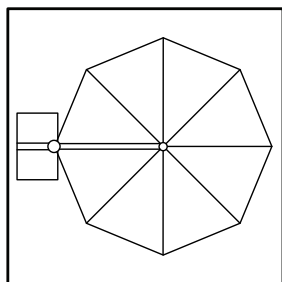
INDEX:

Model Description	Pag. 2
Measurements	Pag. 3
Packaging	Pag. 3
Bases and fixing systems	Pag. 4
Standard Base	Pag. 4
Storm 90 plate	Pag. 5
Customizations	Pag. 5
Materials	Pag. 6
Canopies	Pag. 6
Slats	Pag. 7
Structure, base and casing	Pag. 8
Vertical pole	Pag. 9
Plastics	Pag. 9
Assembly	Pag. 10
Instructions for disassembling the canopy	Pag. 12
Warnings	Pag. 14
Warranty	Pag. 14
Contacts	Pag. 14

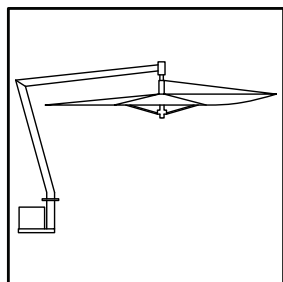
Side-arm parasol with eight slats, ideal for large canopies; it is especially safe as it withstands winds blowing at 80 km/h. The perfect solution for decorating outdoor spaces while leaving the space under the canopy free. This model is particularly suitable for shading outdoor areas of bars, restaurants, tourist farms and hospitality businesses in general. Our windproof system ensures maximum safety, maintaining the value of your investment over time. The Storm model withstands winds of up to 80 km/h if the required ground anchoring and ballast are met.



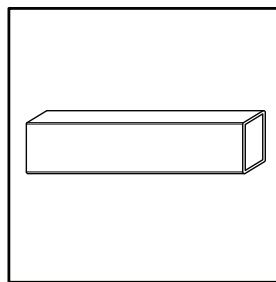
Storm can withstand winds of up to 80 km/h if the ground anchoring or ballast instructions are followed.



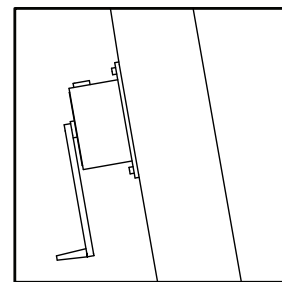
- Size 440 Cm
- Octagonal shape



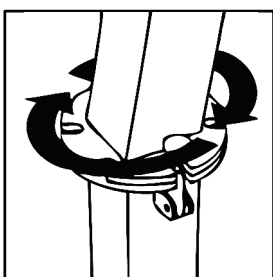
- Side pole Parasols



- Stainless steel slats



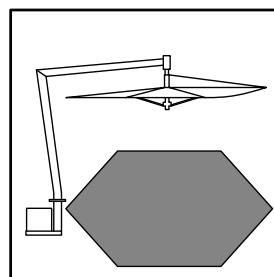
- Manual opening/ closing system with self-braking winch



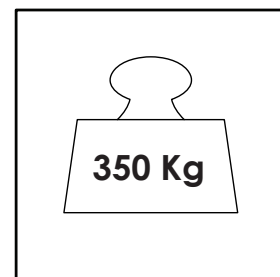
- 360 ° rotation with handles for quick attachment / release



- 100% mass-dyed acrylic fabric



- Projected shadow: 14 Mq



- Ballast required: 350 Kg

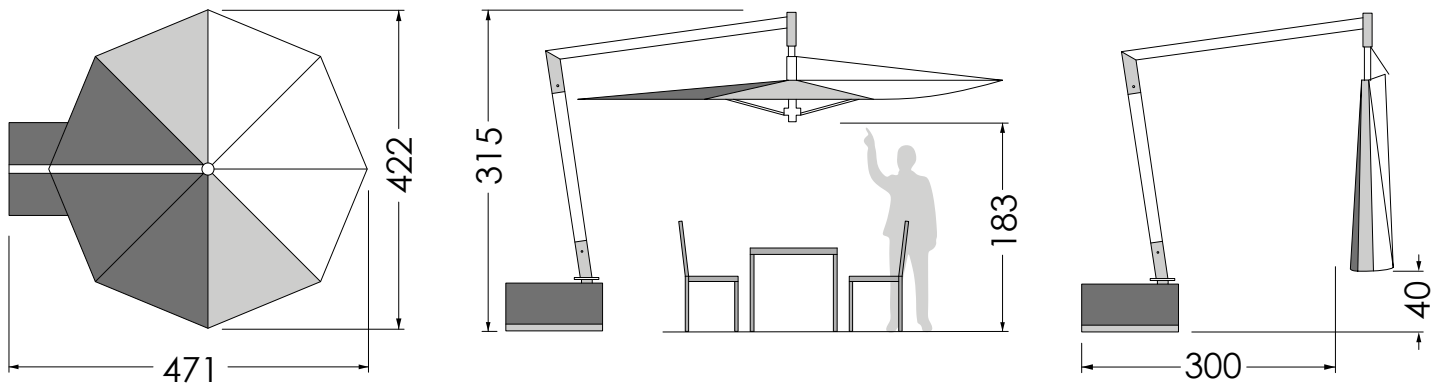
OPTIONAL:

- PVC antifreeze case
- Cushions
- LED battery lights with remote control
- Customization of the covers with the name and logo of the company
- Laminated wood pole

GOOD TO KNOW:

- Spare parts available
- Customized designs
- Designed and manufactured in Italy
- 2 year warranty
- Proprietary Teknowind patent
- Tested at the University of Perugia

MEASUREMENTS:

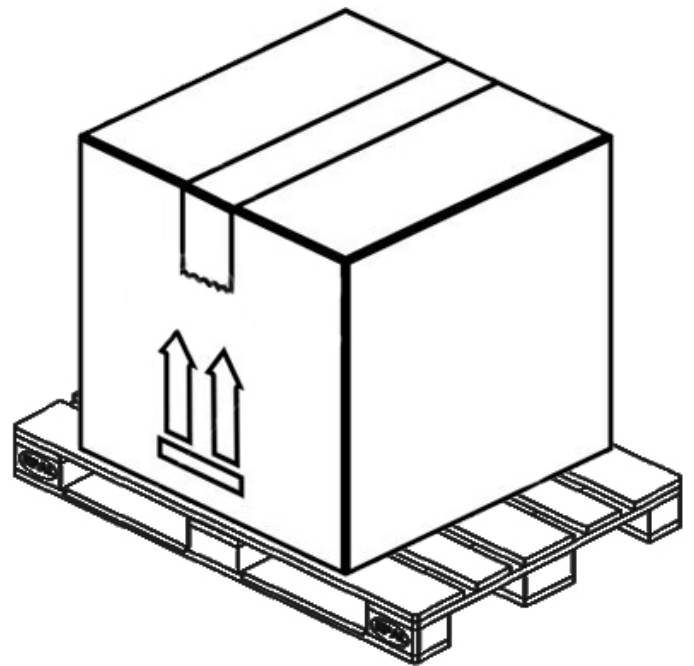
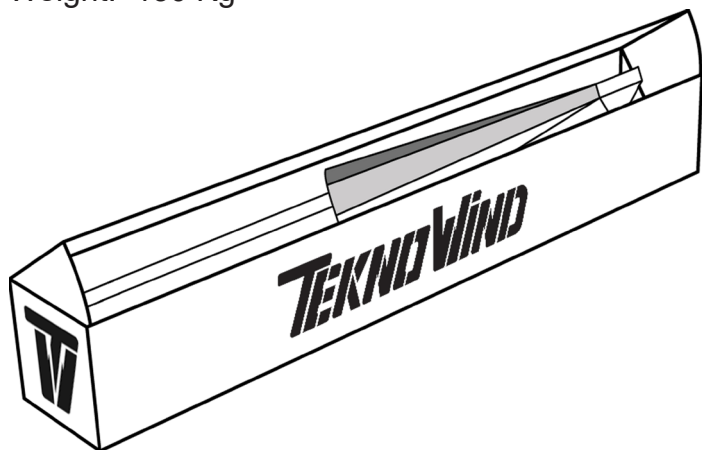


PACKAGING:

Upon request, the umbrella is delivered in two separate cardboard packaging.

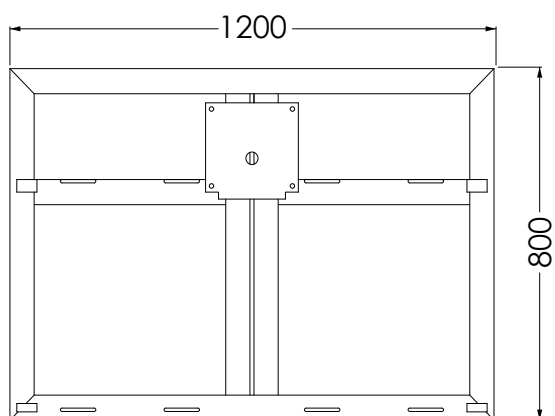
Dimensions: 50 x 190 x 50 Cm
100 x 130 x 90 Cm

Weight: 130 Kg



BASES AND FIXING SYSTEMS:

STANDARD BASE :



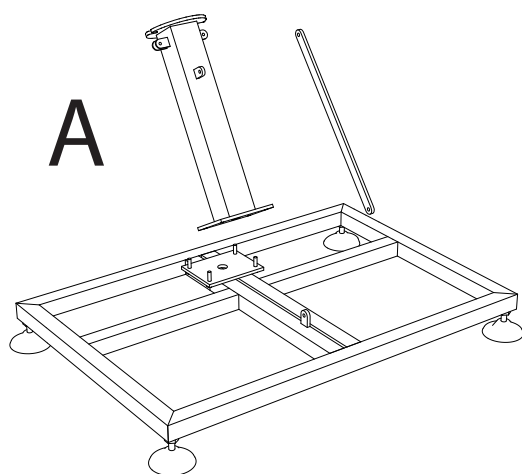
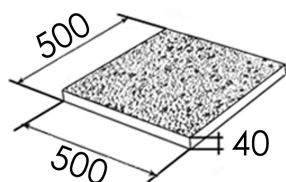
120 x 85 x 6 cm steel base with its own casing to house the necessary ballast; 20/22 50 x 50 cm grit tiles.

The base consists of 60 x 60 mm steel tubes, 2 mm thick, on top of which the column (A) holding the vertical pole is fixed. To avoid unpleasant water stagnation and to increase the stability of the parasol even on smooth surfaces, the base is fitted with polyamide feet with non-slip rubber soles (B). Thanks to their threading, it is also possible to adjust the coplanarity with the ground.

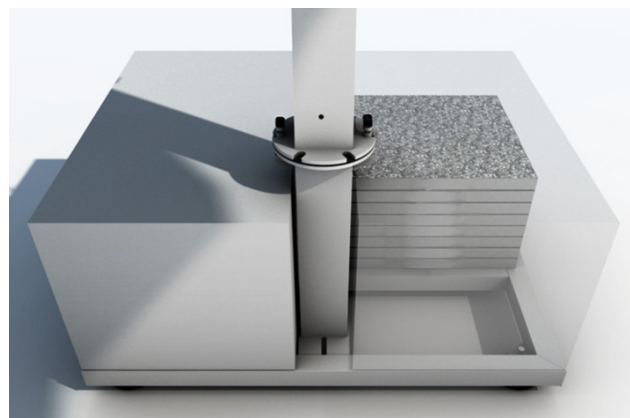
The ballast is protected by removable press-bent steel casings; Teknowind cushions, which transform the casings into comfortable seats, can be purchased in combination. All the components of the base are galvanized and painted in the same color as the structure; thanks to the outdoor treatments to which they are subjected, Teknowind guarantees an excellent seal against all atmospheric agents.

Ballast required:

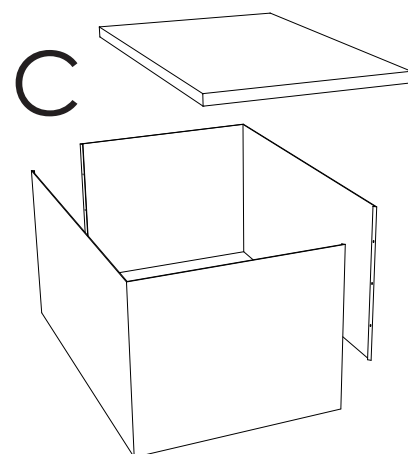
20/22 Pz.



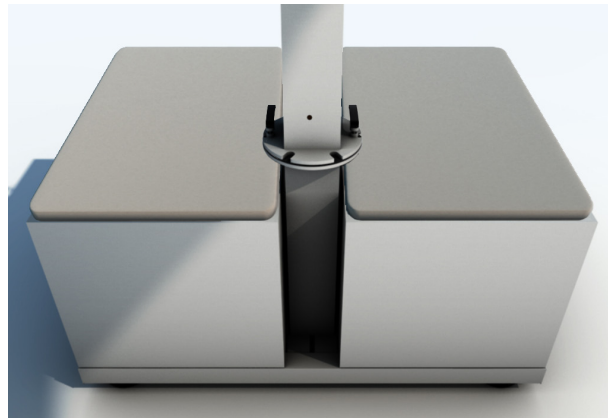
BALLAST CONTAINMENT



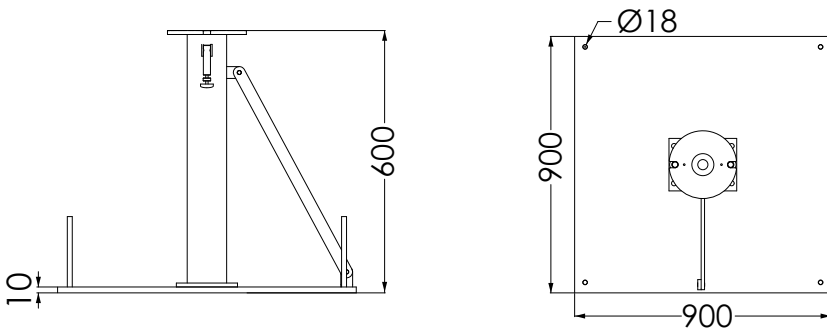
B



CUSHIONS

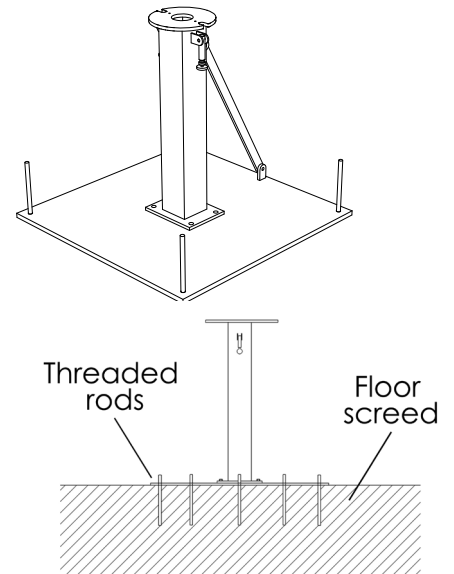


STORM 90 PLATE:



900 x 900 mm plate 10 mm thick in galvanized steel, painted to match the structure; it is the ideal base for optimizing space under the umbrella.

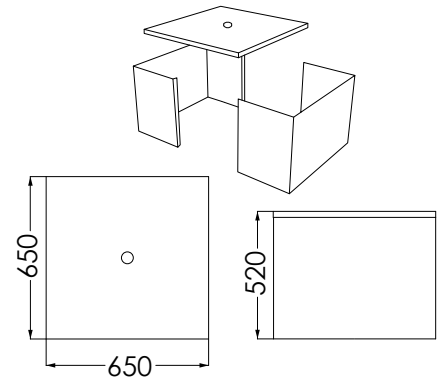
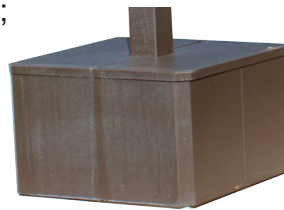
This type of base involves anchoring to the ground with four threaded rods; it is recommended to locate a suitable ground; Teknowind recommends experts for anchoring.



To cover the plate, Teknowind offers a removable casing consisting of two-shells and a cover.

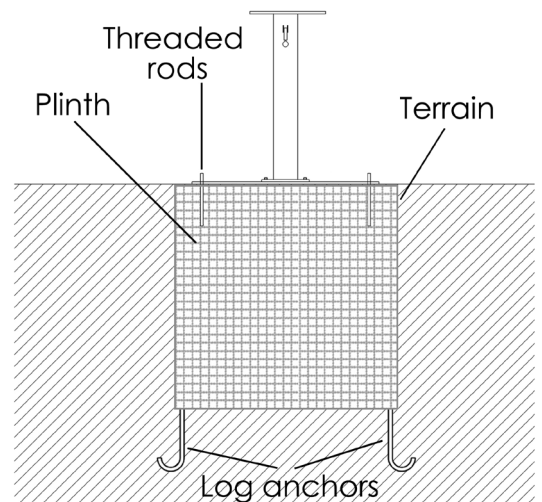
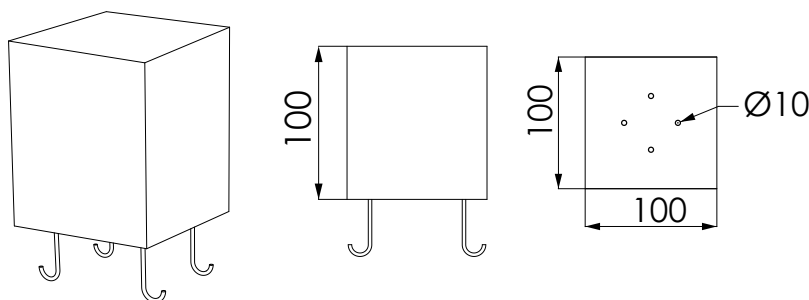
With a height of 520 mm, it can be used as a support shelf or, combined with the cushion, as a comfortable seat.

It is galvanized and painted to match the structure; the outdoor treatments it undergoes guarantee excellent weatherproofing.



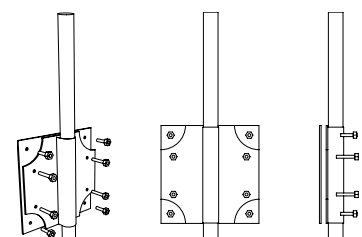
With the use of a concrete slab provided with anchor bolts, the Storm 90 plate can also be attached to soft terrain.

Teknowind recommends that customers bury the slabs that have a minimum size of 80 x 80 x 100 cm. For particularly windy locations, we recommend the use of anchor bolts to secure the slab.



CUSTOMIZATIONS:

We study personalized solutions for anchoring systems and casing. (Minimum quantities required)



MATERIALS:

CANOPIES:



The canopies are exclusively manufactured from the highest quality fabrics 100% made in Italy.

Experience gained in the parasol sector has determined the choice of fabrics used: Acrilmare® and Acrilgiardino® are made from mass-dyed acrylic fiber and are the best on the market thanks to their absolutely

unique quality and weatherproof properties.

Both textiles are characterized by a high degree of color fastness to ensure that the parasols always look new year after year. Prolonged exposure to ultraviolet rays, iodine and salt water will no longer be a problem.

- 100% DOLAN® paste-dyed acrylic fiber
- Weight: 295 g/sqm
- Maximum UV protection: protects your skin by blocking over 97% of UV rays
- Optimum color resistance to direct light
- Color resistance to rubbing
- Swimming pool water resistance
- Dustproof, stain proof, anti-mould, antibacterial, water and oil repellent treatment
- Highest resistance to traction, laceration and tearing
- 100% Made in Italy



MAINTENANCE:

Avoid extended contact with oily substances and/or dyes that could be absorbed by the fabric and cause permanent stains, as well as deteriorating the structure of the textile. If used in proximity to the sea or swimming pools, periodic washing is recommended.

WASHING:

- Wash at 40°C
- Can be washed with bleach
- Iron at low temperatures

- Do not dry clean
- Can be tumble dried at low temperatures
- Dries quickly



COLORS:



TAUPE



WHITE



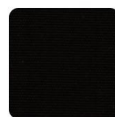
SAND



ASH



COFFEE



BLACK



BURGUNDY



RED



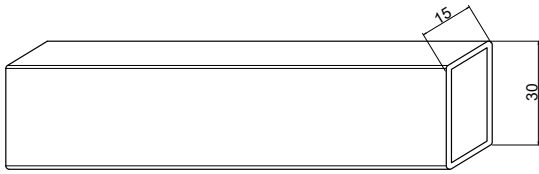
NAVY BLUE



GRAY

Colors may vary slightly. Please refer to the actual fabric before choosing.

SLATS:



The slats and crossbars consist of 15 x 30 mm stainless tubes, 2 mm thick, powder coated.

MAINTENANCE:

To keep the product in good condition for a long time, we recommend proper periodic cleaning, especially in locations with high humidity and marine climate. We recommend wiping surfaces with a soft cloth using water or mild detergents. Prolonged and uninterrupted exposure to intense UV radiation or very cold temperatures can affect the properties of the coating. We recommend cleaning the products well and storing them in sheltered places during extended periods of non-use or during winter.

PAINTING:

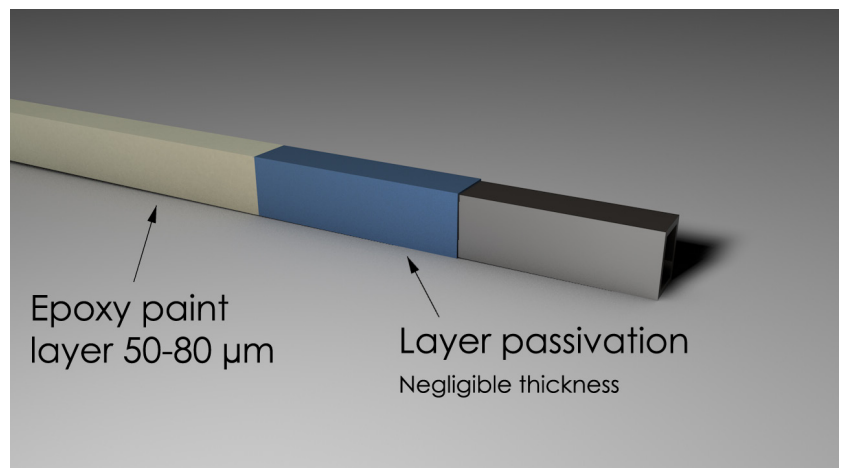
When painting stainless steel, Teknowind relies on experts in the field.

Powder coating is the most suitable treatment for outdoor furniture, as it has significant advantages over traditional liquid coating.

Thanks to the powder coating process, the surface is protected against corrosion and against chemical agents.

The process involves depositing through the action of an electrostatic field, thermosetting resins that are then melted and polymerized in special ovens in order to create a protective/decorative film.

In powder coating, the resins, which do not adhere to the treated surface and are dispersed into the coating environment, are recovered and reused, thus resulting in low pollution.



COLORS:



WHITE



IVORY



INDIAN BROWN



CHARCOAL GRAY



BLACK

Colors may vary slightly. Please refer to the actual painting before choosing.

STRUCTURE, BASE AND CASING:



The structures, bases and casings of STORM parasols are entirely made of steel; all components are zinc-plated and powder-coated.

MAINTENANCE:

In order to keep the product in good condition for a long time, we recommend storing it during the winter in closed, dry places so as to avoid the formation of condensation.

Before the winter season and on a quarterly basis, if the products are stored near the sea, it is recommended to wipe metal surfaces with a soft cloth using water or detergents and protect them with Vaseline oil or car wax.

TREATMENTS:

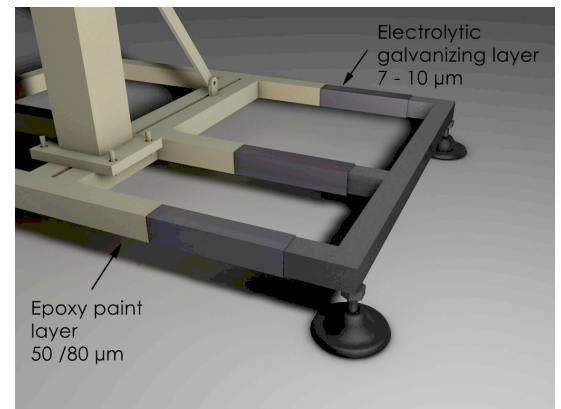
All steel parts, before painting, are subjected to electrolytic galvanizing to protect them from galvanic corrosion (rust).

The material, before treatment, is pre-greased, pickled (stripped) and degreased.

Immediately afterwards, the objects are immersed in an electrolytic solution containing zinc salts.

Eventually, an electrical current is created between the workpiece and the solution, which causes the metallic zinc to be deposited on the surface of the workpiece.

Once the protective treatment of the steel is completed, the various components are powder-coated.



The process involves depositing, through the action of an electrostatic field, thermosetting resins which are subsequently melted and hardened in special ovens in order to create a protective/decorative film. In powder coating, the resins, which do not adhere to the treated surface and are dispersed into the coating environment, are recovered and reused, thus resulting in low pollution.

COLORS:



WHITE



IVORY



INDIAN BROWN



CHARCOAL GRAY



BLACK

Colors may vary slightly. Please refer to the actual painting before choosing.

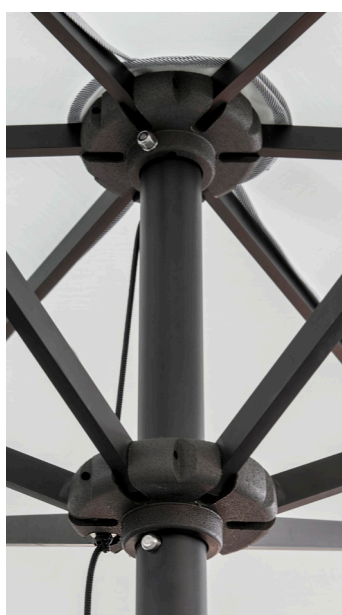
VERTICAL POLE:



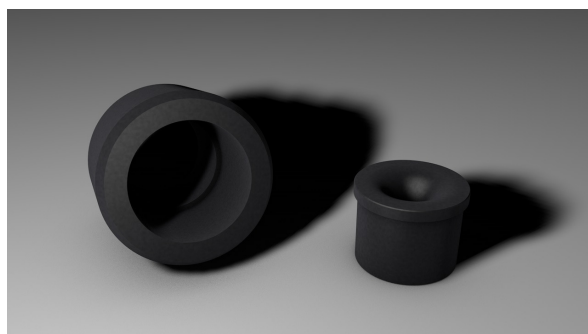
The vertical pole can be made of laminated wood on request.



PLASTICS:



All plastic parts used in Boreas models, including the hubs, are made of black, high-density polyethylene. Polyethylene (HDPE) is a popular material; it possesses high resistance to chemicals and is resistant to water, saline solutions, acids, alkalis, alcohol and gasoline. Due to its resistance to temperatures ranging from - 40°C to + 80°C, UV rays and atmospheric and weather agents, HDPE is perfect for items that are constantly used outdoors. In addition, it has excellent shock resistance, and is extremely lightweight.



MAINTENANCE:

Polyethylene requires no specific treatment. As for cleaning, simply use water and a mild detergent. Do not use solvents or solvent-based cleaners (avoid acetone).

If necessary, allow the detergent to work for a few minutes. Rinse thoroughly with water.

ASSEMBLY:

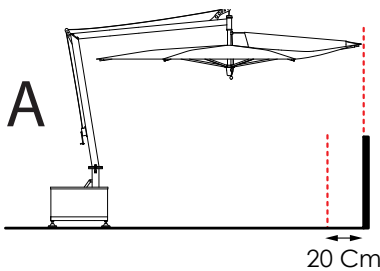
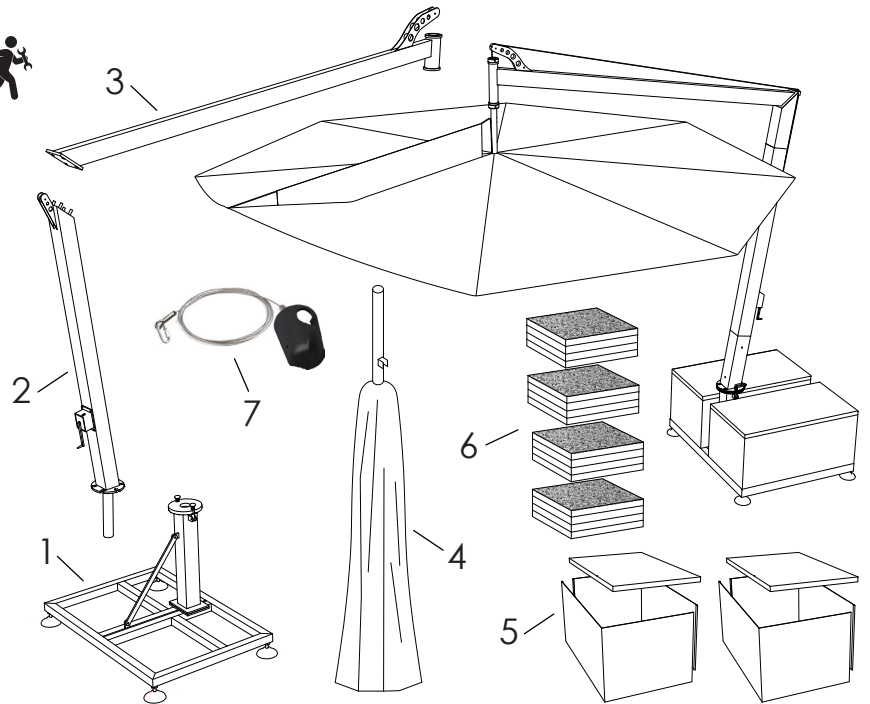


Two operators are required



Contents:

- 1 Base (see page 4 "bases and fixing systems")
- 2 Vertical pole 120 x 120 cm
- 3 Horizontal pole
- 4 Shade structure
- 5 Removable casings
- 6 50 x 50 cm Grit tiles
- 7 Cable with lifting end

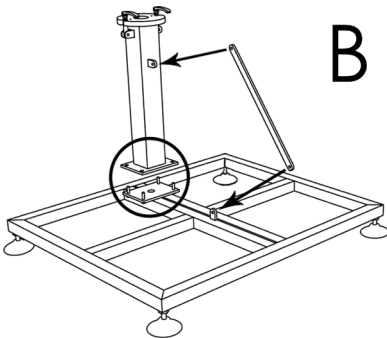


Find a suitable and safe place to place the parasol. Never place the parasol near open flames.

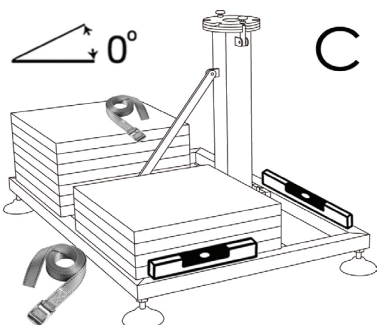
If the parasol is placed on a terrace, make sure that the floor slab has a suitable load-bearing capacity per square meter to support the necessary ballast and that the canopy does not protrude from the railing (A).

The ground must be suitable for the type of base (1) or fixing chosen (see list of "base and fixing systems" on page 4).

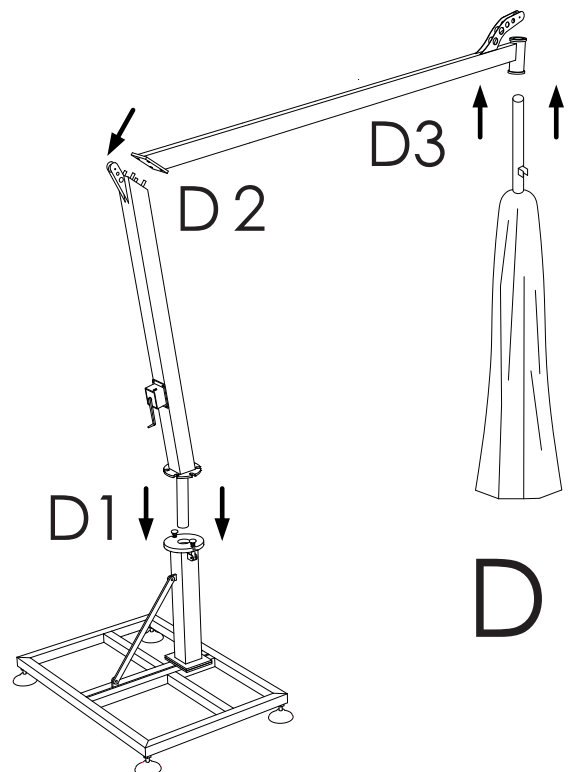
Once you have found a suitable location for the parasol, pre-assemble the base (B) and level it by adjusting the height of the legs (C).



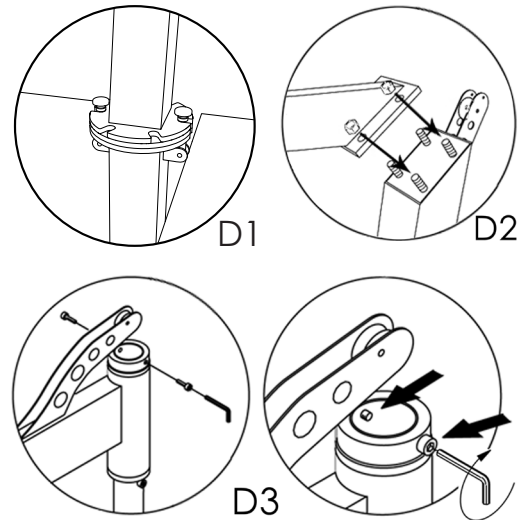
The base can now be secured into the ground or the ballast (6) can be positioned on the base; make sure to ballast the parasol correctly and to respect the indicated loads of 350 kg.; stack the tiles correctly and fasten them down with the appropriate straps, otherwise the casings (5) cannot be used.



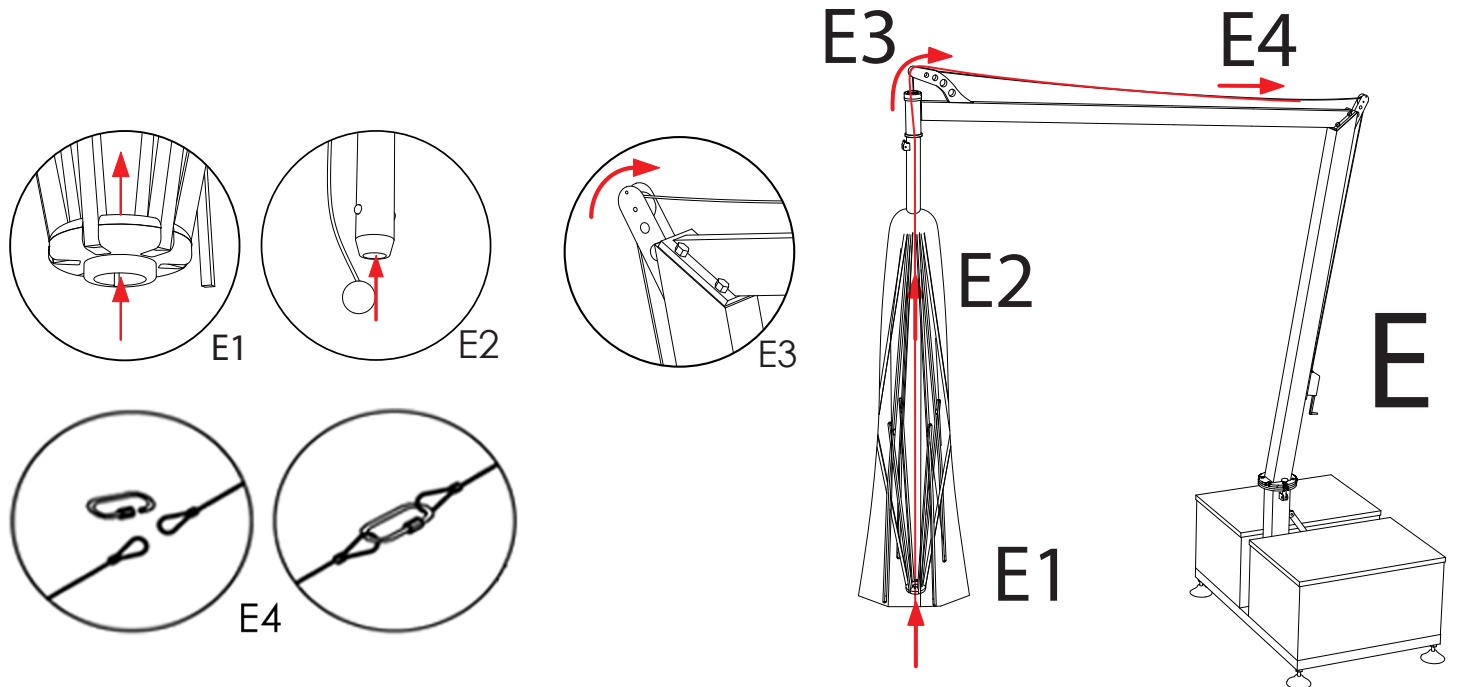
Insert the vertical pole tube (2) into the hole of the base column (1) and screw the rotation lock knobs (D1); position the horizontal pole (3) on the vertical pole (2) and screw the four nuts (D2). You can now take the shade structure (4) and insert the



stainless steel pivot tube into the socket at the end of the horizontal pole (3) and screw on the locking ring (D3).
 At this point, the parasol structure is ready, only the connection between the winch and the shade structure (E) is missing.
 Take the stainless steel rope with the lifting end (7); pass the end of the rope with the snap hook first inside the mobile hub (E 1) and then inside the support tube (E 2).
 Take the end of the rope with the snap hook at the exit of the support tube and wrap it around the pulley (E 3); in the meantime, loop the rope of the winch around the pulley of the vertical pole in the same way; now you can join the two ropes using the snap hook (E 4).

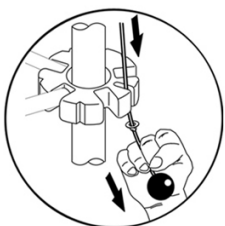


Your Teknowind Storm parasol is now ready to be opened with the manual winch.

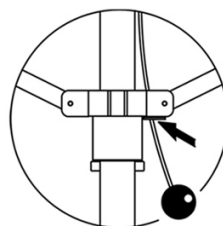


Once the parasol is open, it is recommended to turn the handle half a turn counterclockwise so that the rope is no longer under tension.

Remember that once the parasol is opened, to activate the windproof system, you need to pull the sail drawstring.

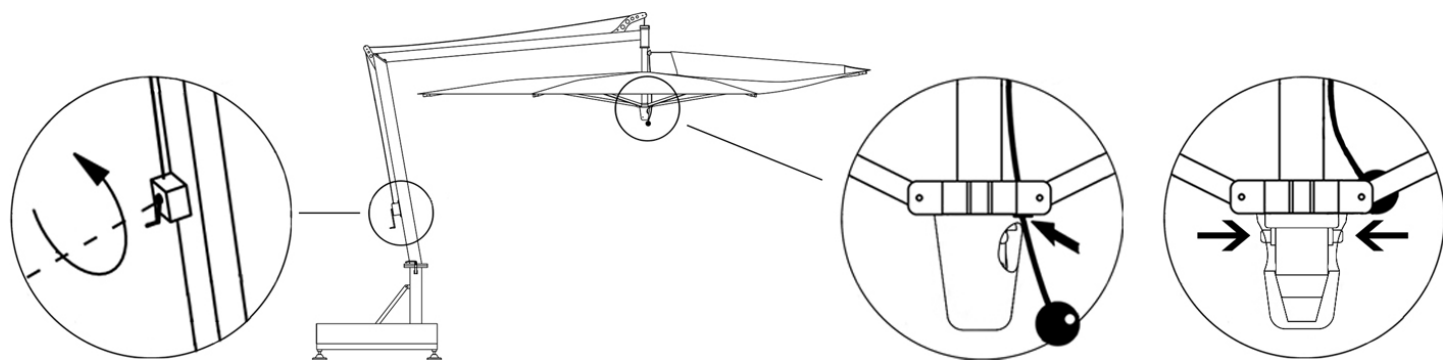
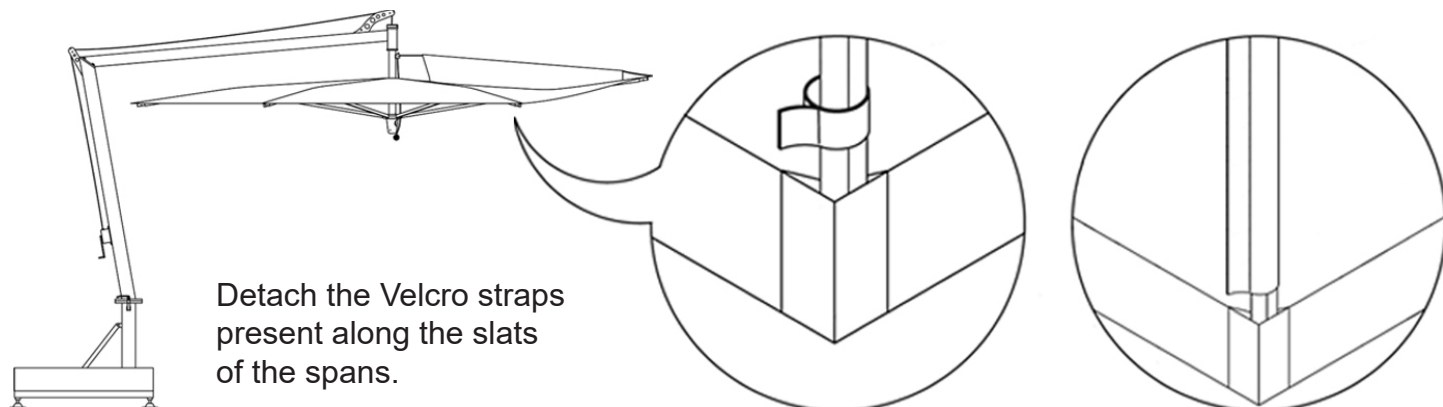


Pull down the drawstring to activate the patented Teknowind windproof system.

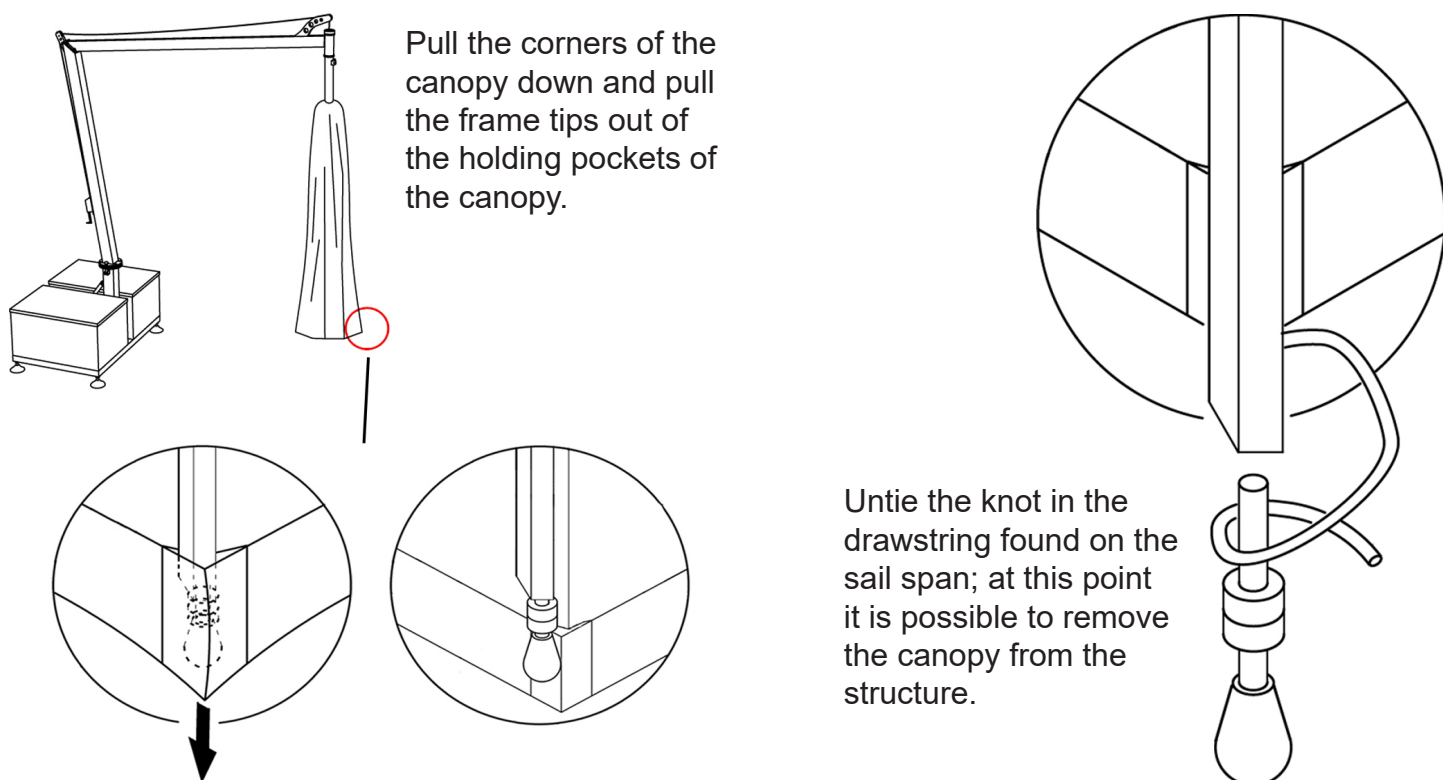


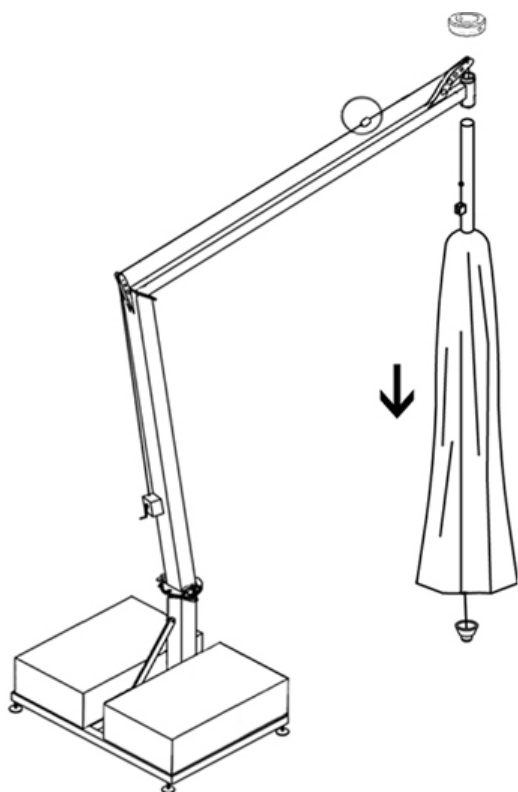
Lock the drawstring into position by inserting the ring into the appropriate slot.

INSTRUCTIONS FOR DISASSEMBLING THE CANOPY:

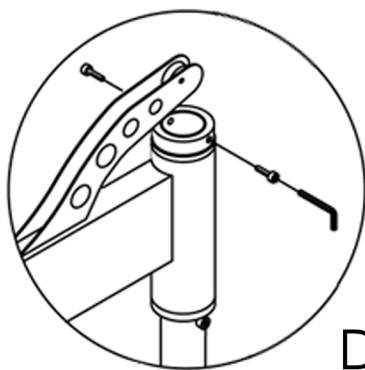


Deactivate the patented TEKNOWIND windproof system by releasing the drawstring and close the parasol by pressing the appropriate buttons.

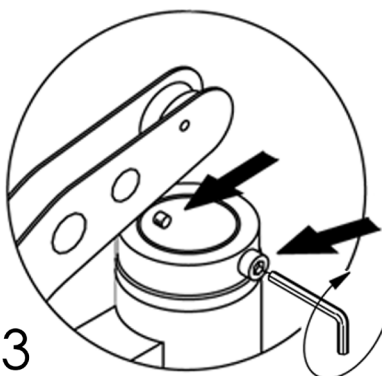




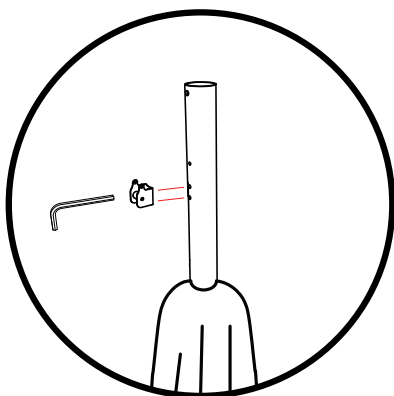
Disconnect the tip cable from the manual winch cable (1) by opening the snap hook.



D3



With the help of an operator holding the parasol closed, unscrew the ring on the pivot tube and remove the canopy structure from the side arm. At this point, it is possible to remove the parasol canopy from the structure.



Unscrew the two screws with an Allen key and remove the “grommet” (cord passage) plate.
The canopy can now be removed from the structure.

Perform the reverse operations to assemble the canopy.

WARNINGS:

Before starting the opening procedure, make sure that the canopy of the parasol is not caught in the inner slats. To open or close parasols raise or lower the hub manually: improper handling can break the mechanism.

If the model has been equipped with pulley's opening system, never force the ropes, if there is a blockage, ascertain its origin and then remove the possible cause.

100% DOLAN® paste-dyed acrylic fiber: for washing and maintenance see directions in the "CANOPY" system. During the winter season it is recommended that the canopy be removed from the structure and stored completely dry.

Mechanical parts: treat with Vaseline oil once each year before winter. Close the parasols during bad weather conditions such as wind over 80 km/h, heavy rain, hail or snow.

Teknowind parasols are equipped with specific bases that allow them to be anchored. If you choose to position them only by ballast you certify their suitability for normal use in wind conditions not exceeding 70 Km/h.

The fixing stage of the parasol and its handling are the sole responsibility of the customer unless specifically requested during the purchasing process.

WARRANTY:

Products in the Teknowind line are warranted for two years against structural defects not due to misuse or lack of maintenance and against invasive oxidation not resulting from scratches or abrasions from use and not removable by normal cleaning and maintenance.

Small irregularities on the surface of the product are characteristic of the particular painting technique used and in no way affect the inherent protective quality of the product itself. Should you intend to make use of the warranty, you must present the defective item and the purchase invoice to the retailer. Teknowind s.r.l. disclaims all liability for damage caused to property or persons resulting from improper use of the product.

CONTACTS:

TEKNOVIND S.R.L. - Via Vitale Rosi, 42 - 06038 Spello (PG) - Italy - Share capital € 10.000,00
VAT Number IT 03313040549 - Tel. +39 0742 651941 +39 0742 301524 - Fax +39 0742 301435
commerciale@teknowind.com info@teknowind.com www.teknowind.it